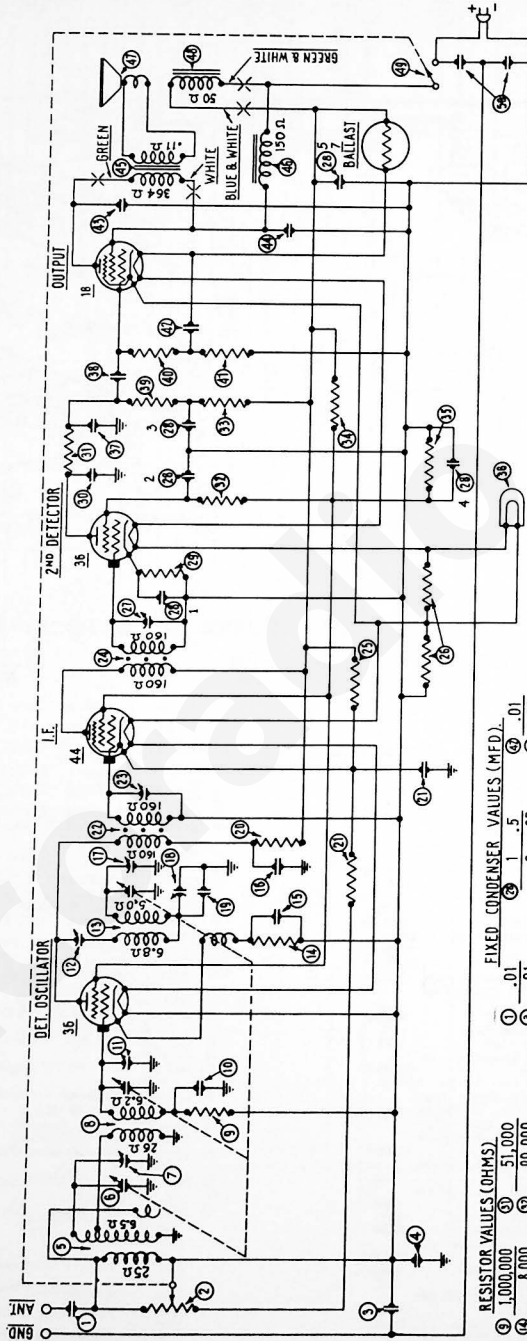


MODEL 48

(D. C.)



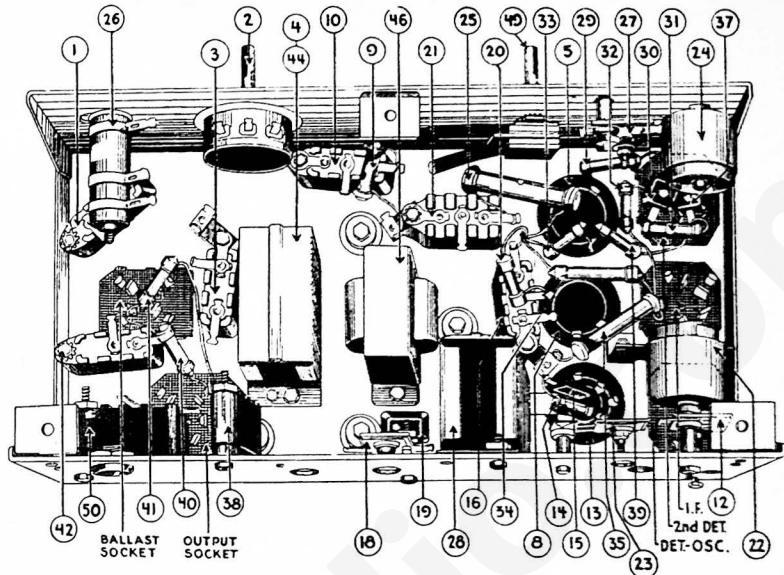
RESISTOR VALUES (OHMS)

1	1,000,000
2	51,000
3	6,000
4	95,000
5	1,000
6	250
7	51,000
8	32,000
9	240,000
10	50 Ω 300

FIXED CONDENSER VALUES (MFD.)

1	.01
2	.01
3	2
4	7.00
5	.05
6	.00071
7	.05
8	.00071
9	.00025
10	.01

Model 48



Replacement Parts for Model 48

① Condenser (.01 Mfd.)	3903-T	Ⓜ Resistor (51,000 Ohms)	4518
② Volume Control (5,000 Ohms)	5839	Ⓝ Condenser (250 Mmf.)	3082
③ Condenser (.01 Mfd.)	3903-AK	Ⓞ Resistor (51,000 Ohms)	4518
④ Condenser (2 Mfd.)	05518	Ⓟ Resistor (99,000 Ohms)	4411
⑤ Antenna Transformer	05848	Ⓠ Resistor (99,000 Ohms)	441F
⑥ Tuning Condenser Assembly	05885	Ⓡ Resistor (25,000 Ohms)	3658
⑦ Compensating Cond.—Antenna—Part of Tuning Condenser Assembly		Ⓢ Resistor (32,000 Ohms)	3525
⑧ Detector Transformer	05849	Ⓣ Pilot Light	6608
⑨ Resistor (1,000,000 Ohms)	4409	Ⓤ Condenser (250 Mmf.)	3082
⑩ Condenser (.05 Mfd.)	3615-J	Ⓡ Condenser (.01 Mfd.)	3903-F
Ⓜ Compensating Cond.—Detector, Part of Tuning Condenser Assembly		Ⓢ Resistor (240,000 Ohms)	4410
Ⓝ Comp. Cond. First I.F. Primary	04000-A	Ⓣ Resistor (490,000 Ohms)	4517
Ⓞ Oscillator Coil		Ⓤ Resistor (99,000 Ohms)	4411
Ⓟ Resistor (6,000 Ohms)		Ⓡ Condenser (.01 Mfd.)	3903-F
Ⓠ Condenser (710 Mmf.)	5863	Ⓢ Condenser .01 Mmf. (assembled with ③)	3903AK
Ⓡ Condenser (.05 Mfd.)	3615-AC	Ⓣ Condenser (1 Mfd.)	05518
Ⓢ Compensating Cond.—High Frequency —Part of Tuning Condenser Assembly		Ⓤ Output Transformer	2660
Ⓣ Comp. Condenser Low Frequency	04000-F	Ⓡ Choke	4951
Ⓝ Condenser (710 Mmf.)	5863	Ⓢ Voice Coil and Cone Assembly	02861
Ⓞ Resistor (1000 Ohms)	5837	Ⓣ Speaker Field Assembly with Pot	02671
Ⓟ Condenser (.05 Mfd. and Resistor 250 Ohms)	3615-C	Ⓤ On-Off Switch Assembly with Volume Control	5839
Ⓠ First I.F. Transformer	04887	Ⓡ Condenser (.015 Mfd. Twin)	3793-P
Ⓡ Comp. Cond. First I.F. Secondary	04000-A	Tube Shield	03169
Ⓢ Second I.F. Transformer	03887	Knob	03064
Ⓣ Resistor (10,000 Ohms)	4237	Knob Spring	5262
Ⓝ Resistor—Wire Wound—(140 Ohms and 30 Ohms)	06200	Grid Clip	4897
Ⓞ Compensating Condenser, Second I.F. Secondary	04000-A	Four Prong Socket	5026
Ⓟ Filter Condenser Bank (.1, .15, .25, 2-5 Mfd.)	05560	Five Prong Socket	4956
		Six Prong Socket	6417
		Pilot Light Bracket Complete	05603
		Dial Complete	05811
		Bezel	6413